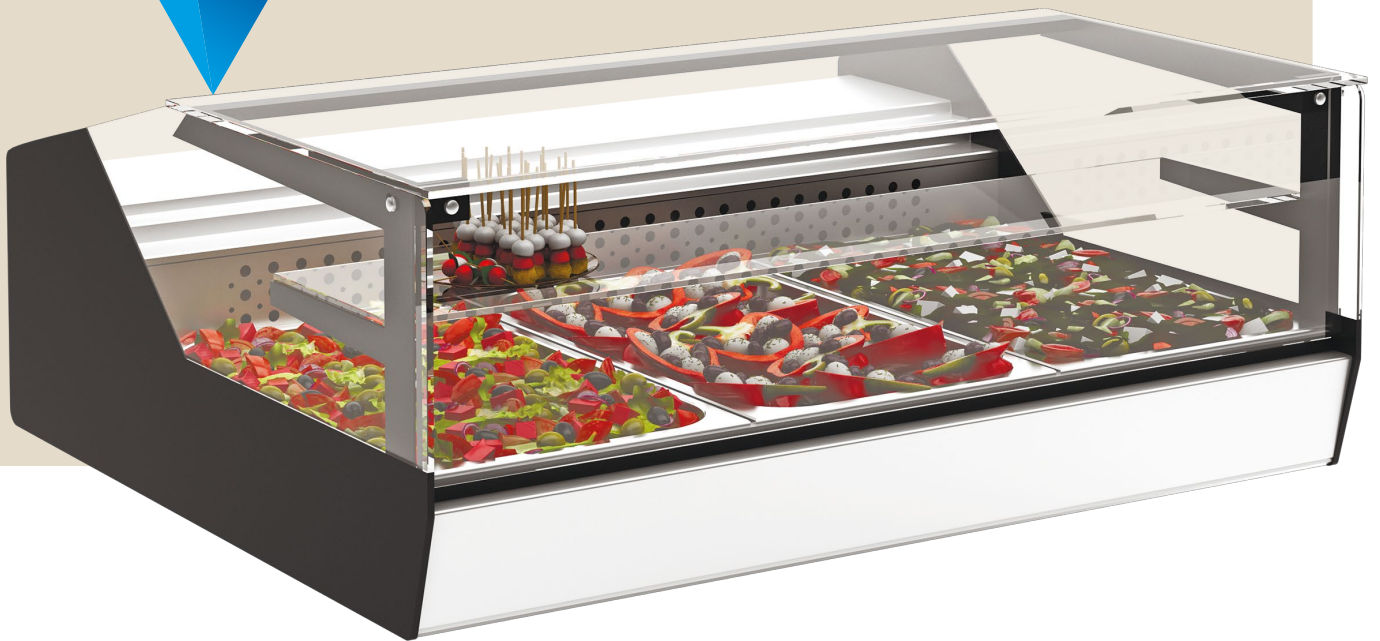




Table Top showcases
AC87 (Argo 2)



- ▼ Table top showcases ARGO is a widely popular and indispensable equipment for small commercial enterprises and catering establishments
- ▼ The elegant design and the possibility of different colors will favorably emphasize the attractiveness of the dishes and provide the perfect storage conditions

Carboma®



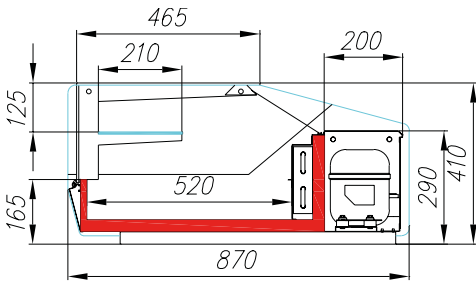


TECHNICAL PARAMETERS

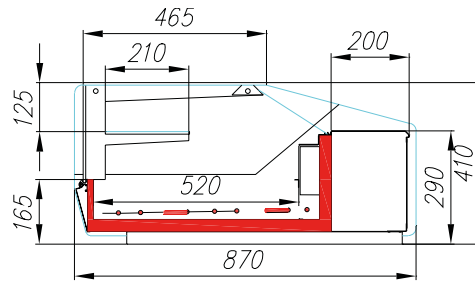
Model	Overall length, mm	Horizontal area of the exposition, m ²	Net volume, m ³	Operating temperature, °C
	→ MM	M ²	M ³	🌡️
1,0 статика	1000	0,5	0,05	+2...+8 / -5...+5
1,0 тепловая	1000	0,5	*	up to +60
Stand	755	-	-	-

* includes set of Gastronorm containers GN1/3 (325x176x65) 9 PCs.

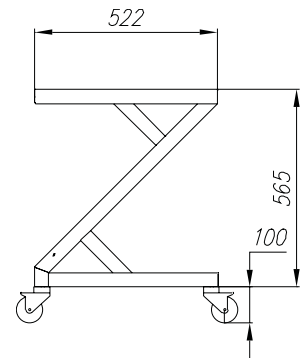
STATIC



THERMAL



STAND



Climate class of equipment: 3
Showcases are designed for indoor use with natural ventilation at temperature ambient air from +12°C to +25°C, relative humidity not more than 60%.

STANDARD COLOR SOLUTION

black&steel



OPTIONS:

- showcase podium
- grid grids

